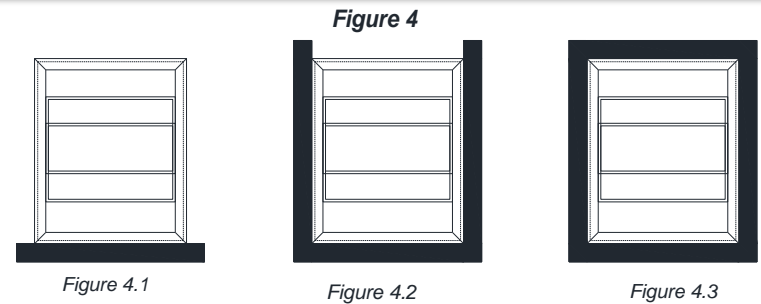
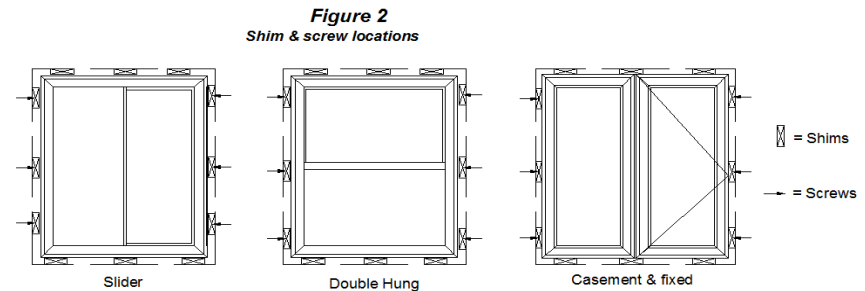
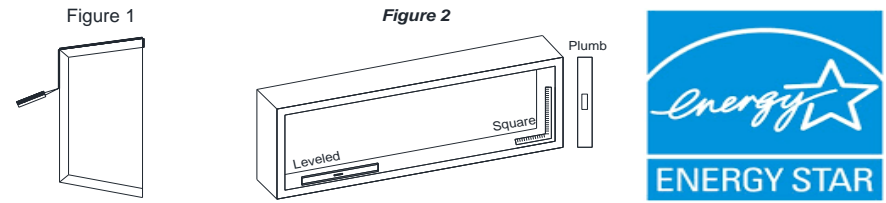
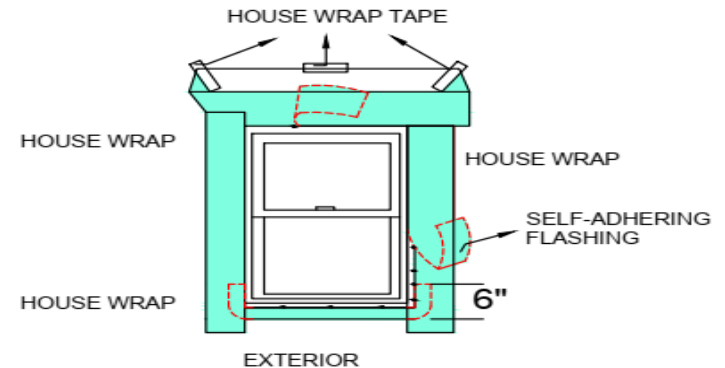


1. Remove packaging material, shipping block etc. from new supplied window.
2. Inspect the unit for damage, correct size before installing the window.
3. Apply a bead of silicone around the exterior perimeter of the opening (Figure 1).
4. Set the unit into the opening. Use wood/vinyl shims to block the unit into the opening. See figure 3 for shim location.
5. Adjust the shim. Unit must be set level, square and plumb (Figure 2) with all operating units securely locked. Use the sash to visually check the squareness of the window. Ensure mullion joints are also shimmed.
6. Using 1 ½" roofing nails, secure one bottom corner of the unit by nailing thru one of the pre-punched holes in the nail fin. Then put a nail in the top corner (opposite to the bottom corner). Check to make sure the unit is square and that each frame member is leveled & plumb (see figure 2). Proceed to install nails around the entire unit in every other nail hole (approx. every 8"). Do not drive the nails completely tight in order to allow for expansion and contraction.
7. The nail fin is not a weather tight seal we recommend installing an ice and water barrier as shown in the figure 4.1-4.3 below (examples of water barrier include roofing paper, adhesive membrane or tape). When applying the barrier extend the material a minimum of 6" in both direction.
8. Choose a flashing method that best suits your application. Caulk the exterior surface to ensure the proper shedding of rain water.
9. Apply finishing trim (not supplied) if required.



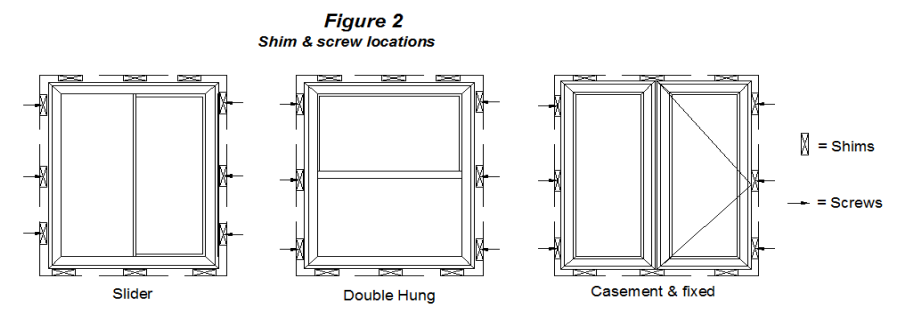
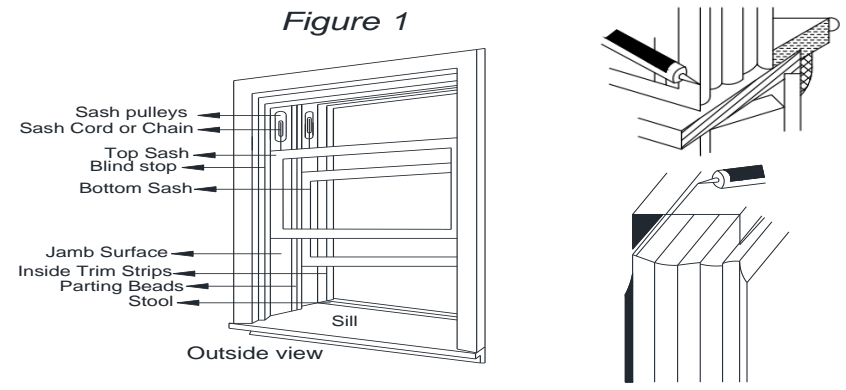
**Flashing method**



1. Remove packaging material, shipping block etc. from new supplied window.
2. Inspect the unit for damage, correct size before tearing out opening & installing the new window.
3. Carefully remove all old trims, stops. You may reuse them again.
4. Cut bottom sash balance cord/chain & remove sash if installed.
5. Remove the parting strips from both side & top if installed.
6. Cut top sash balance cord/chain & remove the sash if installed.
7. Leave Exterior stops (blind stops) intact & in place to prevent replacement window from falling through opening in new window has no brick mould.
8. Clean opening area properly & verify integrity of existing wood.
9. Prior to installation, ensure the rough opening is square & a minimum of 19mm (3/4") greater than the new window frame size in both width & height.
10. Apply a bead of sealant continuously to the bottom of the sill angle at two location (this will allow water to stay away from the window) & place on sill.
11. Apply a bead of sealant to the interior of the exterior stop & to the exterior edge of the stool.
12. Apply head expander (if required) to window using loose fiber glass insulation to fill cavity.
13. Set the unit into the opening & against wet sealant. Use wood/vinyl shims to block the unit into the opening. See figure 2 for shim location.
14. Apply a bead of sealant to interior side of window.
15. Replace interior stops (blind stops) against wet sealant.
16. Unlock & raise bottom sash & sash stops. Install screws into location indicated in figure 2. Don't over tighten screws in order to allow for expansion and contraction.
17. If installing a double hung window, lower the top sash & sash stops. Install screws into locations indicated in figure 2. Don't over tighten screw.
18. Adjust the shims. The window must be set level, square & plumb (figure 3) with all operating units securely locked. Use the sash to visually check the window is positioned square.
19. Secure the windows in place with screws (supplied) driven through both the frame & shims into the wood stud. See screw location in figure 2. If installation mounting brackets are used (in place of screws), clip them onto the side of the window frame in the channel that is designed to receive them. Position the brackets at the same locations that are indicated for installation screws. **Note:-** You may require impact screw driver to install installation screw for individual window width & height over 60" due to Aluminum re-bar in frame.
20. Once the unit is installed, open & close the operating sashes to verify easy of operation & to ensure a proper seal when closed.
21. Fill the cavities between the new window & rough opening with insulation. Foam insulation can be used as long as it is low expansion. Assure the window frame is not distorted in any way.
22. Choose a flashing method that best suits your application. Caulk the exterior surface to ensure the proper shedding of rain water.
23. Apply finishing trim (new or old not supplied) if required.

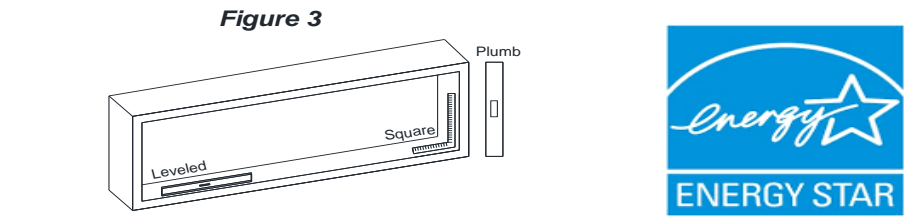
**SAFETY & HANDLING**

- Don't work alone.
- Use caution when handling glass. Broken or cracked glass can cause serious injury.
- Wear protective gear as required.
- Don't put stress on joints, corner or frames.
- Properly dispose of unused products & waste material as federal & local environment protection rules.
- Install only when condition & sheathing are completely dry.
- If injury occurs, immediately seek medical attention.



**TOOLS MAY REQUIRE**

- |  |                 |   |
|--|-----------------|---|
| • Tape Measure                               | • Utility Knife | • Drill/Driver  |
| • level                                      | • Hammer        | • Putty Knife   |
| • # 2 Phillips/Robertson Bit (4" min length) | • Pry Bar       | • Caulk Gun & Color-matched Silicone Caulk (structural sealant when applicable) |
| • Screwdriver                                | • Screw Gun     |   |
|  | • Staple Gun    |   |

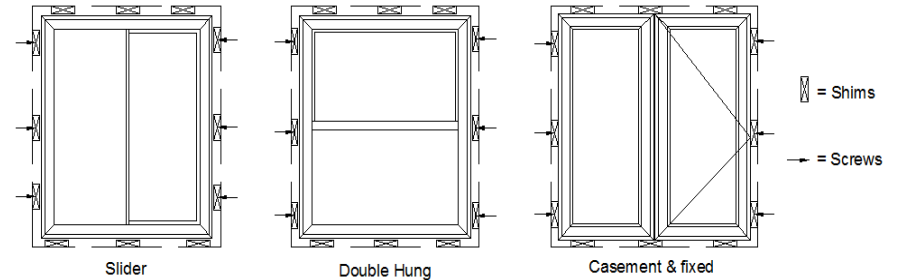


1. Remove packaging material, shipping block etc. from new supplied window.
2. Inspect the unit for damage, correct size before tearing out opening & installing the new window.
3. Carefully remove old window.
4. Prior to installation, ensure the rough opening is square and a minimum of 19mm (3/4") greater than the new window frame size in both width & height.
5. Set the unit into the opening. Use wood/vinyl shims to block the unit into the opening. See figure 1. for shim location.
6. Adjust the shims. The window must be set level, square and plumb (figure 2) with all operating units securely locked. Use the sash to visually check the window is positioned square.
7. Secure the windows in place with screws (supplied) driven through both the frame and shims into the wood stud. See screw locations in figure 1. If installation mounting brackets are used (in place of screws), clip them onto the side of the window frame in the channel that is designed to receive them. Position the brackets at the same locations that are indicated for installation screws. **Note:-** You may require impact screw driver to install installation screw for individual window width & height over 60" due to Aluminum re-bar in frame.
8. Once the unit is installed, open & close the operating sashes to verify ease of operation and to ensure a proper seal when closed.
9. Fill the cavities between the new window & rough opening with insulation. Foam insulation can be used as long as it is low expansion. Assure the window frame is not distorted in any way.
10. Choose a flashing method that best suits your application. Caulk the exterior surface to ensure the proper shedding of rain water.
11. Apply finishing trim (not supplied) if required.

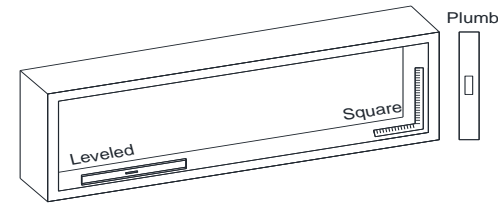
**CAUTION:**

1. The Environmental Protection Agency (EPA) requires anyone renovating houses built before 1978 to take steps to reduce the dust generated when the paint is disturbed. This is because it may contain lead from the lead-based paint.
2. For disposal & recycling of old windows:- Your old windows and doors should be classified as hazardous waste and should be turned over directly to your local solid waste facility for proper handling and disposal or Donate them to local Building materials reuse centers based on condition.
3. The glass on your windows is most probably Annealed/tempered and manufactured with special tints making them difficult to recycle, contact glass recycling companies for safe disposal. Always use Proper safety gloves when handling the glass part on your windows.  
Consult state or local authorities and/or go to [www.epa.gov/lead](http://www.epa.gov/lead) for more information.

**Figure 1**  
Shim & screw locations



**Figure 2**



**Complete-Tear-Out or New Construction**

